



# TransPower Electric Yard Tractor Standard Specifications

Based on the Ottawa 4x2  
Off Road Yard Tractor



## 4X2 YARD TRACTOR

### STANDARD FEATURES

- TransPower 150 kW (200 HP) 513 lb-ft (695 Nm) electric PMAC motor with integrated 70 kW on board fast charger
- 6 Speed TransPower Automated Manual Transmission (AMT) utilizing Eaton hardware
- 160 kWh Lithium Iron Phosphate Energy Storage System (ESS)
- On-demand electrified accessories
- Zero Emissions
- Quiet operation
- Front Axle: Meritor FF-961, 12,000 lb
- Rear Axle: Meritor RS-23-186, 7.83:1 ratio, solid mount to frame
- 132" Wheelbase with "L" frame reinforcement
- Fifth wheel: Holland FW-3500, 70,000 lb plate rating
- Fifth wheel lift cylinders: 5" diameter 60,000 lb rating
- Tires 11R22.5 Steel belted radials 14PR
- Wheels 22.5" X 8.25" 285 mm hub piloted, 10 hole steel disc
- Back-up light, stop and turn signals
- Cab side vent (riveted)
- Drive shaft Spicer 1710 series
- Approximate Vehicle Weight 17,800 lb
- GCWR 96,000 lb
- Typical Maximum Ground Speed  $\geq$  25 MPH
- 14-16 hours of operation on one charge (2 kWh/mi, 30 mi/shift, 2 shifts ~ 20 MPGGE)
- 2-3 hour charge time from full depletion (70 kWh, 208V 3 Phase, 200 A circuit)

### TRAILER EQUIPMENT

- Two (2) color coded, coiled air lines with glad hand receivers, 7 wire female receptacle at rear of cab

### STEERING

- Gearbox type integral power steering with mechanical back up

- Electric Hydraulic pump with idle off and On-Demand features

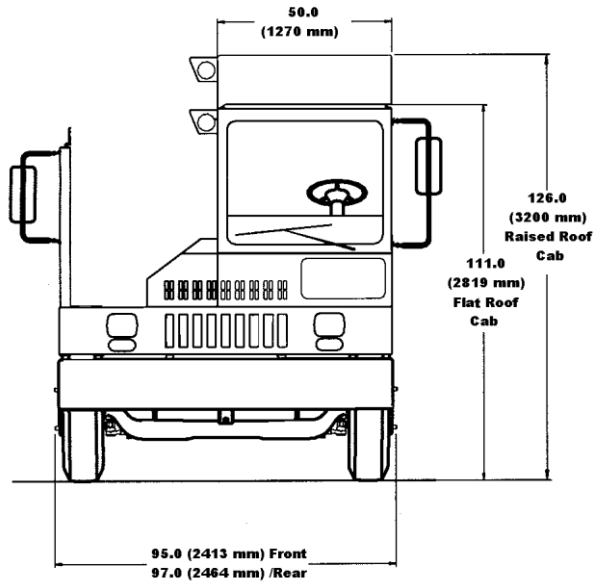
### CAB FEATURES

- Cab air ride, 3-point mount suspension
- Cab with raised roof: 50" X 65" X 68" welded steel and driver's side door which has a full length piano hinge and an aluminum sliding rear door
- Cab insulation, for thermal protection and noise abatement
- Cab tilt: Electric 45° with 90° tilt capability
- Platform, rear of cab
- Air Ride Seat with isolator
- Seat belt with 2-point mount
- Tinted glass all windows
- 4 kWh fresh air heater/defroster with electric air conditioning
- West coast 16" X 7" mirrors
- **Cab gauges:**  
Volt meter, HV ESS Temperature, Powertrain Temperature, fuel (SOC) level, air pressure, speedometer and 5-digit hour-meter, operational and fault indicator lights
- **Cab controls:**  
Accelerator, tractor/trailer brakes, gear selector, fifth wheel elevation, steering wheel 18" soft touch, headlights, electric horn, heater defroster, AC, and electric windshield wiper control, directional turn signals, rear flood light upper right hand side,  
5th wheel unlatch

### WARNING DEVICES

- Low air pressure light and alarm
- Headlight hi-beam indicator
- Electric backup alarm
- Vehicle fault indicator

## Ottawa 4x2 Off Road



		BOOM POSITION	
		STANDARD LIFT	
WB	DIM	UP	DOWN
132" (3353 mm)	TS	95.4 (2423 mm)	99.5 (2525 mm)
	K	10.2 (259 mm)	6.1 (154 mm)
	H	63 (1600.2 mm)	46 (1168.4 mm)
	OAL	203 (5156 mm)	

### HYDRAULIC SYSTEM

- Hydraulic reservoir tank
- Single hydraulic motor, dual hydraulic pumps
- 5" hydraulic lift cylinders
- Hydraulic system fittings with "O" Ring
- 5th Wheel Boom lift 17"

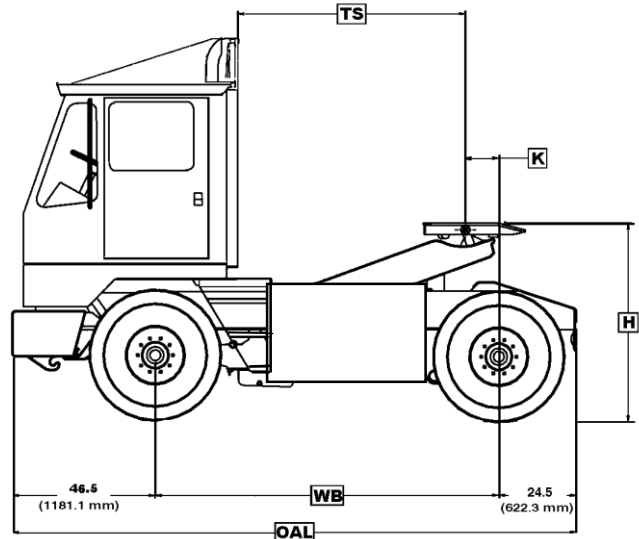
### BRAKES

- Front: "S" Cam type 16.5" X 5" air actuated
- Rear "S" Cam type 16.5" x 7" air actuated
- Manual slack adjusters front and rear

### FRAME FEATURES

- Welded 50,000 psi steel with 12" x 3 3/8" X 3/8" formed channel 43.25" wide frame with "L" frame reinforcement

- (1,835,000 in/lb RBM)
- 55° tapered deck curbside with reinforced removable bumper
- Frame mounted energy storage with non-slip surface
- Integral front and rear tow eyes



### PNEUMATIC SYSTEM

- 8.5 CFM 120 PSI Industrial electric compressor operated on demand.
- Color-coded air lines

### ELECTRICAL SYSTEM

- 12 Volt neg. ground with circuit breakers, 200 A 12 V DC-DC, color coded wiring in separate removable harness, (1) 12-volt low maintenance battery, cab dome light

### PAINT FINISH

- Cab: white DuPont Imron 5000
- Chassis and components powder coated primer, top coated with polyurethane, paint black
- Wheels: Paint "E" coat white
- Rubberized undercoating under cab and deck